

AE5 SERIES

THE AE5 SERIES IS HIGH POWERED 'ALL IN ONE' SOLAR LIGHTING MODULE WITH A SLEEK AND MODERN APPEARANCE THAT EASILY ATTACHES TO THE TOP OF A ROUND POLE WITHOUT NEED FOR ANY FURTHER WIRING OR COMPONENTS

SPECIFICATIONS 2016



LEADSUN

"Bright Ideas For An Even Brighter Future"

MELBOURNE
SYDNEY
BRISBANE
ADELAIDE
PERTH

Email: Sales@leadsun.com.au

Tel: 1300 281 005

Web: www.leadsun.com.au



AE5 SERIES Specifications

● Standard ○ Optional / N/A

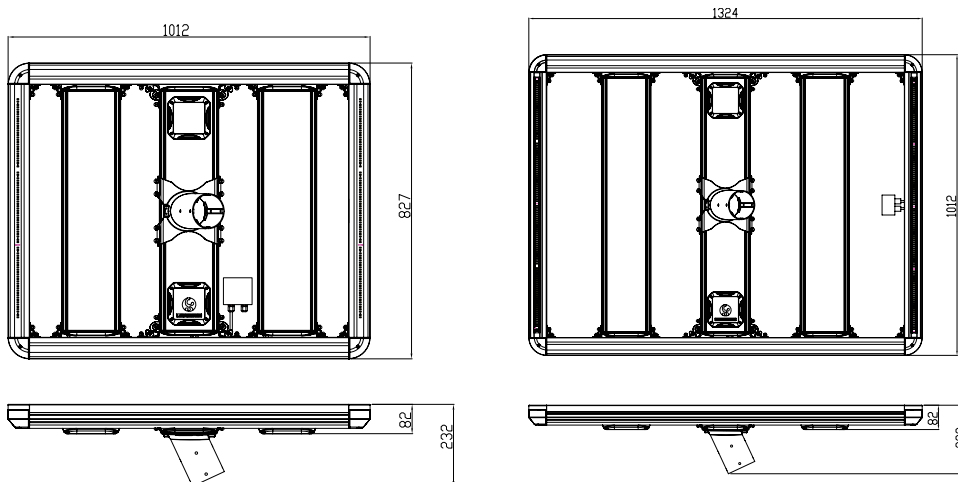
Model No	AE5S120V24BH32L30M	AE5S120V24B42L40M	AE5S200V24B42L40M	AE5S200V24BH42L40M	AE5S200V24B52L50M
Physical Parameters					
Max. Power of LED Chips	/	/	/	/	/
Qty. of LED Chips	/	/	/	/	/
PV Module Power	120W	120W	200W	200W	200W
Lithium Battery Capacity	32AH	42AH	42AH	42AH	52AH
PIR Sensor	●	●	●	●	●
Battery Heating Function	●	/	/	●	/
Bluetooth	●	/	/	●	/
433MH	/	/	/	/	/
GPRS	/	/	/	/	/
Net Weight of Product	27.5Kg	30.5Kg	41.5Kg	41.5Kg	44.5Kg
Physical Dimensions	1012(L)x827(W)x82(T)mm	1012(L)x827(W)x82(T)mm	1324(L)x1012(W)x82(T)mm	1324(L)x1012(W)x82(T)mm	1324(L)x1012(W)x82(T)mm

Light Parameters					
Light Output Factory Settings	30W(15Wx2)	40W(20Wx2)	40W(20Wx2)	40W(20Wx2)	50W(25Wx2)
Optical Distribution	-----Asymmetrical - Symmetrical-----				
Visual Angle	140' X 70'	140' X 70'	140' X 70'	140' X 70'	140' X 70'
Color Temperature	5000K	5000K	5000K	5000K	5000K
Max. Luminous Flux	3600lm	4800lm	4800lm	4800lm	6000lm
Min Bright Mode	23h	24h	24h	24h	24h
Working Time DIM Mode (30%)	6h	79h	79h	79h	79h
Light Photosensitivity	30lx	30lx	30lx	30lx	30lx

Enviroment Requirement					
Charge Temperature	-40°C ~ 60°C	0°C - 60°C	0°C - 60°C	-40°C - 60°C	0°C - 60°C
Discharge Temperature	-40°C ~ 60°C	-20°C ~ 60°C	-20°C ~ 60°C	-40°C ~ 60°C	-20°C ~ 60°C
Storage Temperature	-20°C ~ 45°C	-20°C ~ 45°C	-20°C ~ 45°C	-20°C ~ 45°C	-20°C ~ 45°C

Installation Suggest					
Recommended Installation Height	5~8m	5~8m	5~8m	5~8m	5~8m
Recommended Installation Distance	23~35m	30~40m	30~40m	30~40m	35~45m
Recommended Installation Light Pole	80~90mm	80~90mm	80~90mm	80~90mm	80~90mm

Physical Dimensions



AE5S120V24B26L30M / AE5S120V24BH32L30M / AE5S120V24B42L40M

AE5S200V24B42L40M / AE5S200V24BH42L40M / AE5S200V24B52L50M