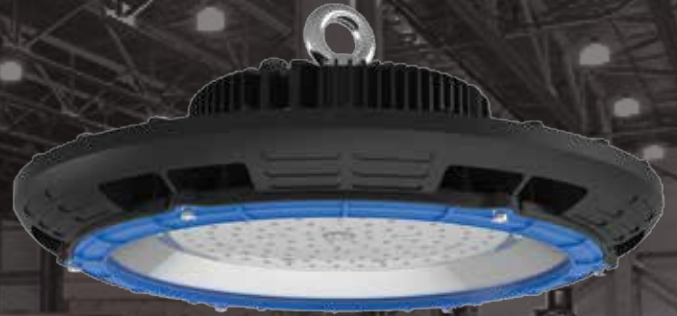




UP TO  
**70%**  
ENERGY SAVINGS  
250W - 400W HID light replacement

# Stargate

High / Low bay luminaire



enLighten Australia's Stargate is a high intensity LED high/low bay luminaire that complements our Tauro Blu & Tauro Eco bay range. Ideal for open plan factories & warehouses, Stargate maximises energy savings when combined with smart controls. Available in 100W, 150W & 200W models.

## DESIGN FEATURES

- High performance LUXEON 3030 2D LEDs from LUMILEDS
- Reliable Meanwell driver
- Unique appearance with customised diffuser ring colours
- Internal mirror reflector to maximize light output
- Optional integrated smart controls – 3 step dimming and motion sensing
- Optional DALI enabled daylight harvesting

## KEY BENEFITS

- IPART approved for ESC rebates in NSW
- High efficacy – delivering up to 130 lumens per watt
- Light weight offers easy handling
- Easy hook, plug & play offer simple installation & maintenance
- Over 54,000 hours operating life at L<sub>70</sub>
- Generous ambient operating temperature range of -30°C to +50°C
- Available in multiple correlated colour temperatures to suit the lighting application: 2700K – 6500K

## APPLICATIONS

- High bay range: warehousing, factories, cold storage, large retail
- Low bay range: car park entries, manufacturing sites, loading docks, plant rooms



5  
Year  
Warranty



Smart  
Controls



Easy  
Maintenance



IP65  
Rating



Pendant  
Mount



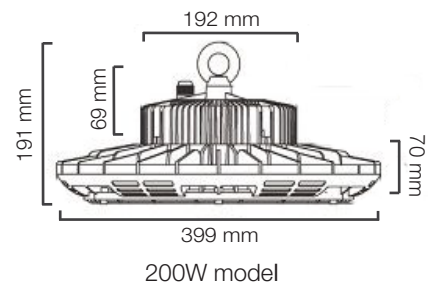
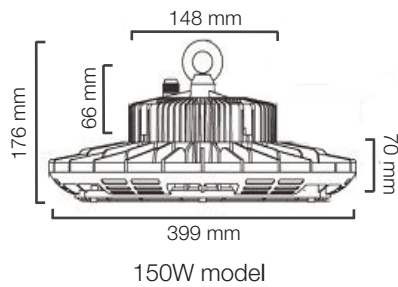
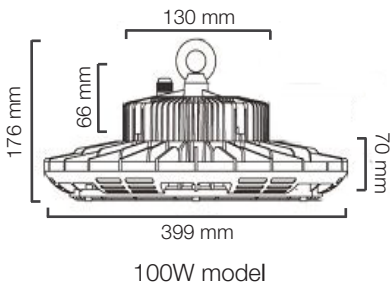
## PRODUCT RANGE

The circular Stargate series is available in different wattages, correlated colour temperatures and a number of control options, with standard diameter of 399 mm.

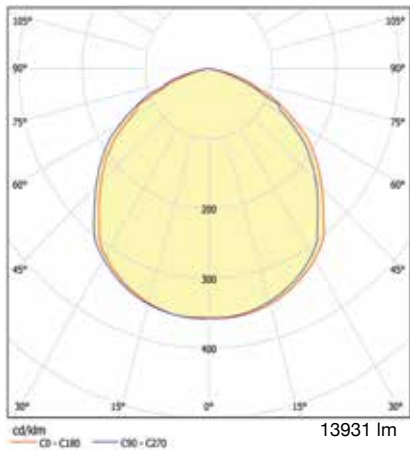
Model #	Rated Power (W)	Total Lumens (lm)	Weight ( kg )	Alternative to:
SGLHB100XX	100W	13,000	6.8	250W MH / 400W MV
SGLHB150XX	150W	19,500	6.8	250W MH / 400W MH
SGLHB200XX	200W	26,000	7.6	400W HID

XX denotes correlated colour temperature (CCT) selection. Note 57 (5700 K) is standard with 27, 40, 50 and 65 optional  
 Add "-D" to the model number for 1-10V dimmable driver  
 Add "-DS" to the model number for 3-step dimming with daylight and motion sensing  
 Add "-DALI" to the model number for DALI enabled driver

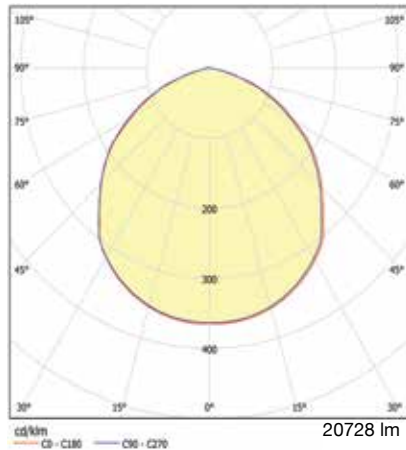
## DIMENSIONS



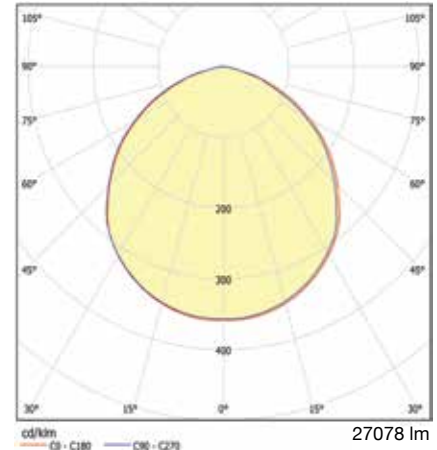
## PHOTOMETRICS



Model: SGLHB10057



Model: SGLHB15057



Model: SGLHB20057

## COMPLIANCE

The Stargate range of lights meets or exceeds all relevant standards and regulatory requirements.

For a full compliance and testing list visit [www.enlighten.com.au](http://www.enlighten.com.au).

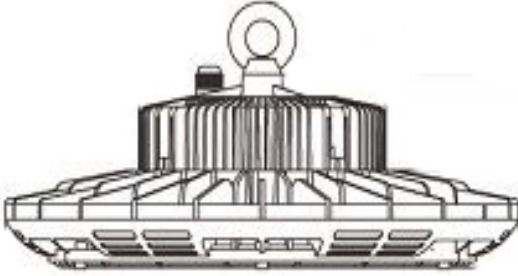
IES files, warranty, installation and product guides are also available for download.



Sold nationally through major electrical wholesalers.



## TECHNICAL SPECIFICATIONS



### Optical

Light source	LUMILEDS LUXEON 3030 2D LEDs
Lumen output (default)	13,000 - 26,000 lm
Colour rendering index (CRI)	R <sub>a</sub> >80
Correlated colour temperature (CCT)	5700K standard, 2700K, 4000K, 5000K, 6500K available on request
Luminaire Efficacy	Up to 130 lm/W
Beam Angle	110°

### Electrical

Power consumption (W)	100, 150, 200
Operating frequency	50/60Hz
Operating voltage range	100 - 277 V AC
Power factor	>0.90 / 240 V AC at full load
Driver type	Meanwell
Driver efficiency	>90%

### Environmental

IP rating	IP65
Weight	6.8-7.6 kg
Ambient operating temperature range	-30°C to +50°C
Material composition (body)	Die-cast aluminium
Material composition (diffuser)	Tempered glass standard IK10 rated polycarbonate on request
Expected lifespan	>54,000 hours @L <sub>70</sub>

### Controls - Optional

See below

### Accessories

Ceiling / wall mount bracket  
Coloured diffuser rings: blue standard,  
Red, green, yellow available on request

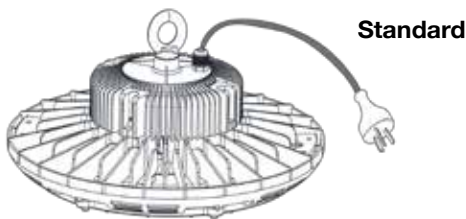
### Warranty

5 years

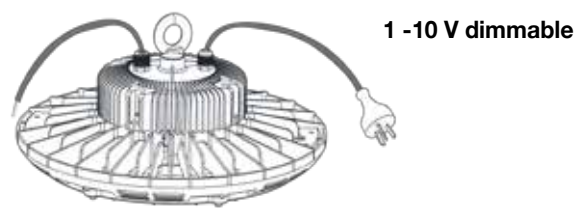
\*Data subject to change without notice

## SMART CONTROLS

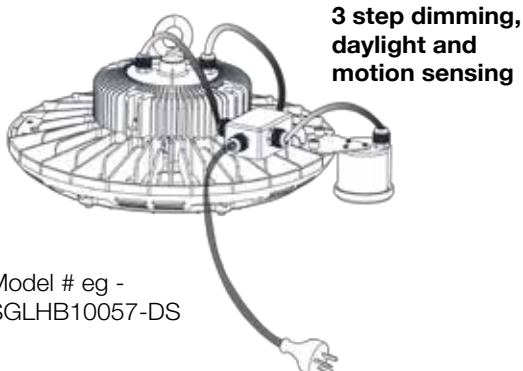
Stargate comes with a variety of optional integrated controls.



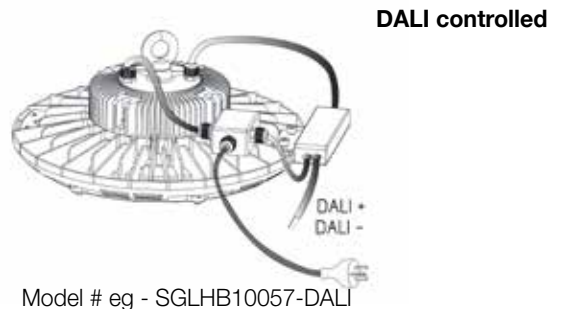
Model # eg - SGLHB10057



Model # eg - SGLHB10057-D



Model # eg - SGLHB10057-DS



Model # eg - SGLHB10057-DALI

